



3+



23



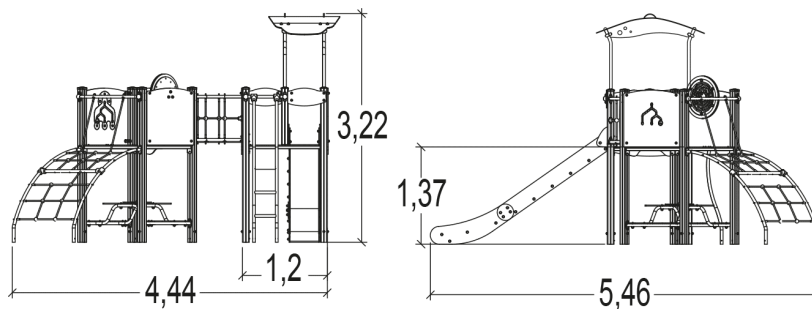
2,1m



1 = 5,47m
2 = 4,44m
3 = 3,22m



Motor inclusion
Sensory inclusion
Mental inclusion



Play value : **17**

role play



x1

sliding



x1

meeting



x4

resting



x1

handling



x3

taking shelter



x1

thinking



x2

tactile stimulation



x1

climbing



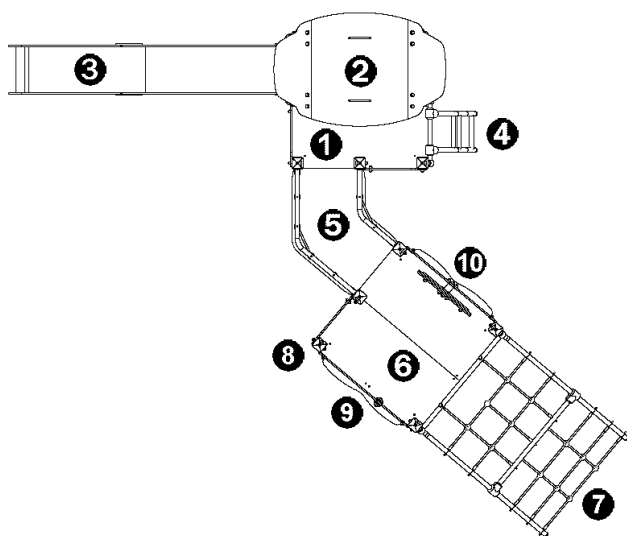
x2

getting across



x1

Components

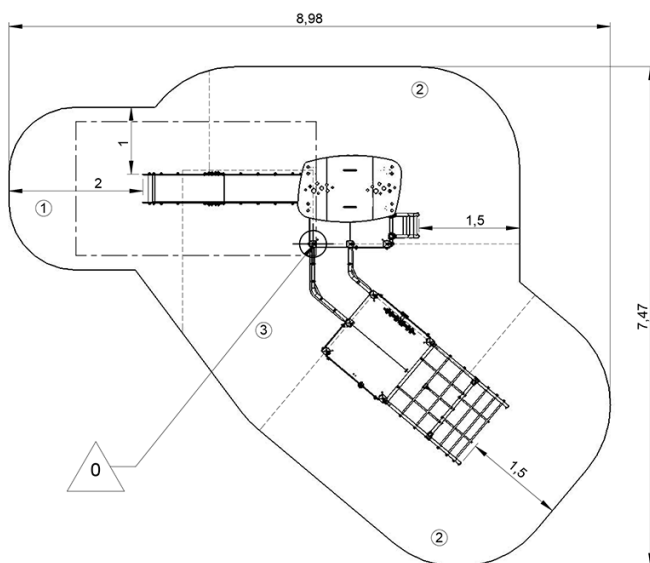


- 1 Square platform
- 2 Roof
- 3 Slide H: 1.37m
- 4 Curved ladder
- 5 Curved bridge
- 6 Incline net H: 1.37m
- 7 Play table
- 8 The Pachinko Play Panel
- 9 'Maze' board
- 10

Installation of equipment

Impact area =

- Impact area
- Free space



1	1m	7,5m ²
2	1,37m	25m ²
3	2,1m	10m ²



2



18h00



0.4m³



42.5m²



543kg



29kg

